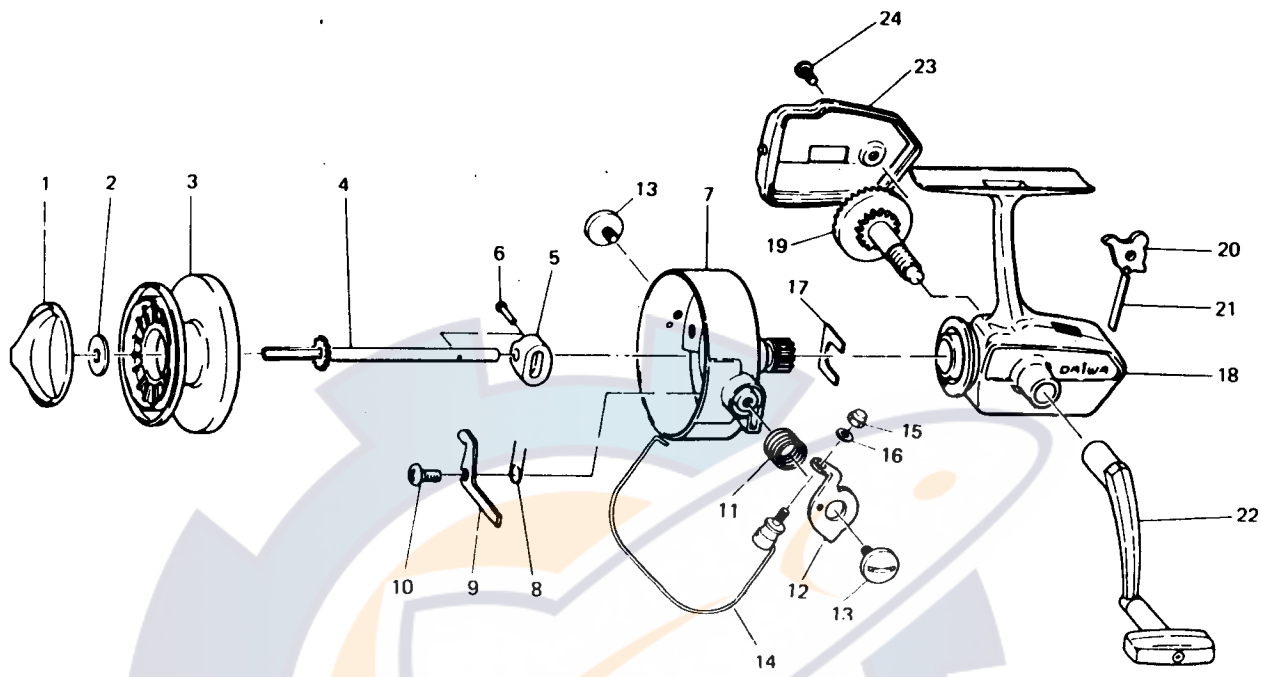




SPINNING REEL **7280B**



LINE CAPACITY: 200 YDS., 8 LB. TEST (290m Dia. 0.23mm)

Key No.	Parts No.	Parts Name	Key No.	Parts No.	Parts Name
1	64413501	Drag knob	13	63623411	Arm lever screw
2	63747901	Drag washer	14	67253801	Bail
3	67308001	Spool	15	63419901	Bail nut
4	67105401	Main shaft	16	61600121	Bail washer
5	64805101	Oscillating slider	17	66324011	Pinion retainer
6	64904411	Oscillating slider pin	18	61924001	Body
7	62015601	Rotor	19	64128901	Drive gear
8	61425711	Bail kick lever spring	20	61104711	Anti-reverse claw
9	65706511	Bail kick lever	21	61506201	Anti-reverse claw spring
10	63521101	Bail kick lever screw	22	67457402	Handle
11	61409231	Bail spring	23	60079111	Body cover
12	62311001	Arm lever	24	63522501	Body cover screw

Darwa
Page 34
Date 12-75
Rev. No. 00